

# A way to rebuild a Eberline HP260 with Russian beta2 probe by TOTO4G

This guide is the need to recover broken HP260 probe using a Russian Beta2 Pancake.

what it takes to create the new probe:  
 HP260 handle (no GM tube)  
 Russian Beta 2 pancake GM tube  
 silicone refill  
 one 4.7Mohm resistor

befor all clean the handle,  
 cut the silicone refill as shown in figure  
 check the centering and alignment

put everything together in this way  
 solder the wire with resistor on the  
 BNC connector,  
 the final result, probe completed

## NOTES

The Eberline HP-260 and the Ludlum 44-9  
 uses the same LND 7311 pancake G-M  
 detector. link to the LND data sheet.

<http://www.Indinc.com/products/389/>

buy the Beta2 pancake on Ebay  
<http://stores.ebay.com/Annakozub-Russian-Collectibles>



## PANCAKE Alpha RADIATION COUNTERS

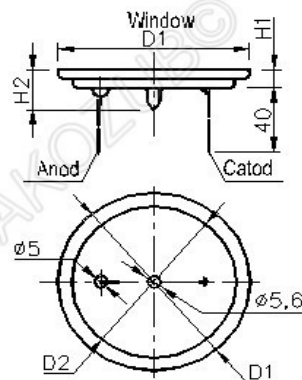
The counters are designed to be operated in various dosimetric and radiometric devices.  
 Main Data:

Counter Type	Work. Voltage	Plateau Length/Inclination	Sensitiv. to Gamma Radiation	Own Back-ground	Efficiency to Beta-Radiation <sup>90</sup> Sr	Window Area	Mice Thickness	Operating Temperature Range	Service Life	Overall Dimensions, mm				
	V	V / %V	Puls./μR	Pulses/s	%	cm <sup>2</sup>	μm	°C	Pulses	D1	D2	H1	H2	
<b>Counters of Soft Beta-Radiation and Alpha Radiation</b>														
# 1														
# 1-1	400	200/0.25	120	0.6	65	7	10÷14	+60÷-50	1x10 <sup>10</sup>	44	34	8	20	
# 2														
# 2-1	400	200/0.25	200	1.0	65	15	10÷14	+60÷-50	1x10 <sup>10</sup>	56.5	46.2	8	20	
										56.5	46.2	7.5	-	

good luck

TOTO4G

Overall dimensions of counters #1, #2



Overall dimensions of counters #1-1, #2-1

